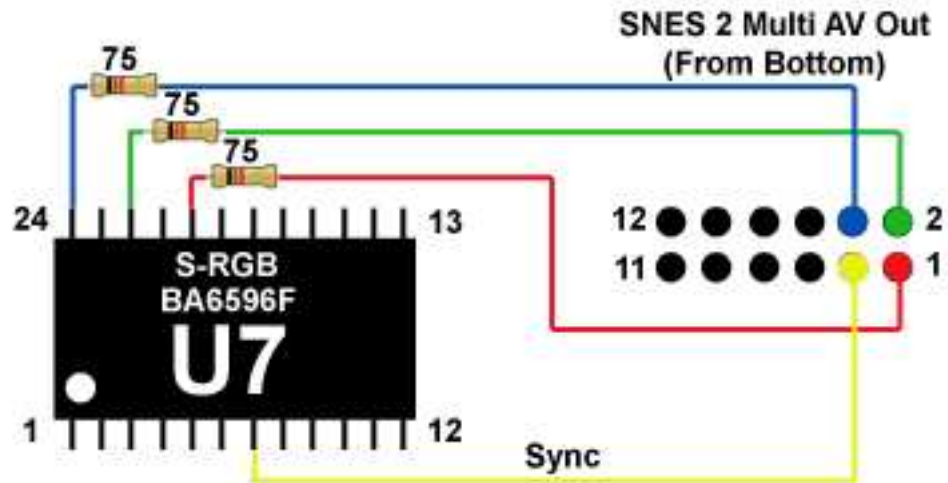


SNES 2 (Jr.) RGB Restore



Use 75 Ohm resistors on the RGB lines. This value can be changed depending on your setup and preferences.

U7 Chip

Blue = Pin 24
Green = Pin 22
Red = Pin 20
Sync = Pin 7

Multi AV Out

Blue = Pin 4
Green = Pin 2
Red = Pin 1
Sync = Pin 3